

VHII Series Patent

COMPACT HOPPERS

TECHNICAL SPECIFICATIONS

VHII



Applicable Coin Sizes:

- Diameter: 22.00 - 26.00 mm
- Thickness: 1.60 - 3.20 mm

Dispensing Speed:

- US 25¢ 350 coins / minute approx.
 - US \$1 280 coins / minute approx.
 - US 25¢ 450 coins / minute approx. (High-Speed)
 - US \$1 360 coins / minute approx. (High-Speed)
- Dispensing speed may vary depending on motor gearbox deceleration ratio or coin specifications.

Counting Method:

- Proximity Sensors

Motor Control:

- Dedicated Control Board

Motor (Voltage) Options:

- AC 110V · 220V
(Thermal Protection & Instant Stop Device)
- DC 12V · 24V (Dedicated Controller 24VDC ±5%)

Peak Current Consumption:

- AC 110V / 60Hz 4.85A
- AC 220V / 60Hz 2.68A
- DC 12V 4.90A
- DC 24V 2.90A

Motor Racing

- 8 minutes (AC Motor)
- Continuing (DC Motor)

Operating Temperature:

- 10°C ~ +60°C

Coin Capacity:

- approx. US 25¢ / 900 coins
- approx. US \$1 / 700 coins
- approx. EUR €0.5 / 700 coins
- approx. EUR €1 / 800 coins
- approx. EUR €2 / 700 coins

Coin Cup Extension:

- approx. US 25¢ / 500 coins (Total 1400 coins)
- approx. US \$1 / 400 coins (Total 1100 coins)
- approx. EUR €0.5 / 400 coins (Total 1100 coins)
- approx. EUR €1 / 500 coins (Total 1300 coins)
- approx. EUR €2 / 400 coins (Total 1100 coins)

Weight

- Model VHII approx. 3.23 kg (AC Motor)
- Model VHII approx. 2.22 kg (DC Motor)

VHII+H1

Coin Cup Extension



VHII Series Patent

DIMENSIONS

Unit: mm

Accessories:

● Proximity Sensors: Model PS-1(Page 53~54)
The N.O. and N.C. built in the same Sensor.
The user through JUMP be free to change.

● DC Control Pack: Model DH-2(Page 59~62)
Build in with Reversible Motor and Brakes

● Coin overflow and low level sensing by line

Options Accessories:

● Model DH-1 RS232(Page 55~58)
● Model DH-1 USB(Page 55~58)

Coin Cup Extension:

● H1 Type(Page 25~26)

OTHER MODELS IN THIS SERIES

- VHII Page 25~26
- VHII-TK Page 43~46
- VHII-2TK Page 43~46
- VHII-3TK Page 43~46
- VHII-4TK Page 43~46

SAFETY STANDARDS

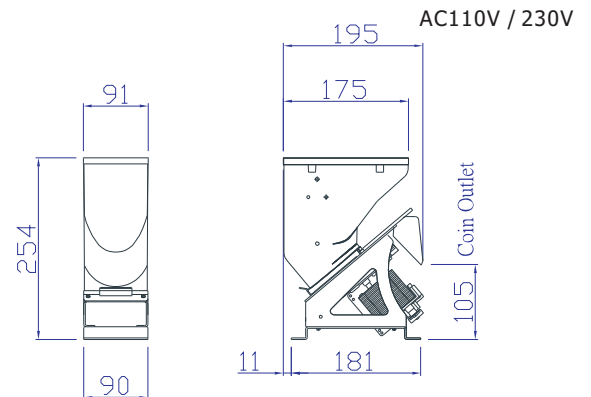
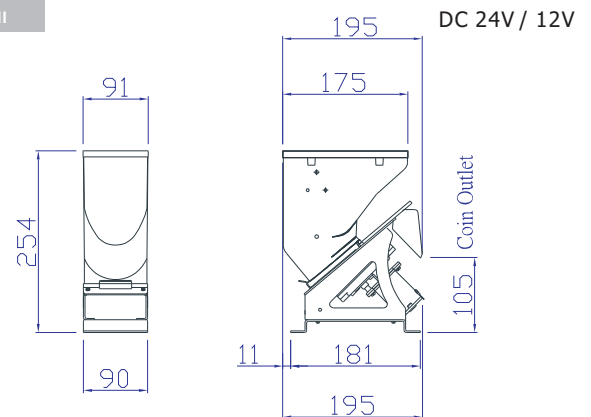
Applicable Standards Standards File Number

EN 55014-1+A1 EB2G005
EN 61000-3-2+A1+A2
EN 61000-3-3
EN 55014-2

FCC RULES FD2G005
CISPR 22
FCC / ANSI C63.4

2002 / 95 / EC RoHS KA / 2006 / B1267

VHII



VHII+H1

Coin Cup Extension

DC 24V / 12V

